

## PROFESSIONAL DRYERS

### DP-8/10 T2

#### VERSATILITY

OPL <> COIN

Standard models can be programmed as OPL or coin laundry version, central pay, etc.

SINGLE <> STACKED

Models can be stacked on top of a washer or on another dryer. Control panels can be assembled between both drums for better ergonomics. Ideal for multiple solutions: hotels, hostels, campings, coin laundries, facility services (mops), gyms, etc.

#### OUTSTANDING FEATURES

T2: User friendly and fully programmable microprocessor with a 4,3" touch screen

USB connection

Remote WIFI connection



Reduced drying times (less than 45 minutes) 6,75 kw heating, option 4,5 kw

#### EFFICIENCY

Optimised airflow

Wide fluff filter as drawer

Efficient design

#### ROBUSTNESS

Outer casing in grey skinplate

Robust aluminium big door

Drawer as fluff filter (not in the door but as a specific drawer)

Industrial fan and powerful airflow

Sturdy construction of the dryer structure and panels

#### OTHERS

Transmission by pulley and belt

Galvanized drum

Axial airflow

Bigger door diameters  $\varnothing$  588

COOL DOWN- anti-wrinkle at the end of the cycle

Electric heating

CE approved product

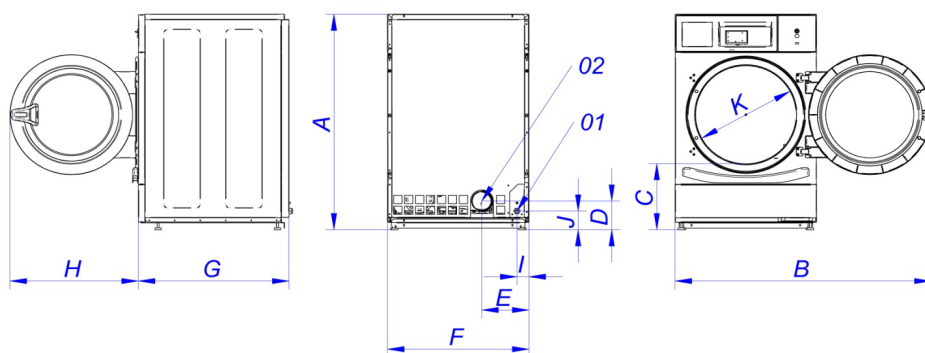


DP-8/10 T2

#### OPTIONS

- SMART DRY humidity control
- PrimerLink communication
- AISI 304 stainless steel outer casing
- AISI 304 stainless steel drum
- Reversing door opening
- Tropicalized model: protected board
- Plinth for better ergonomics
- Maritime voltage 440V III 50/60 Hz No neutral
- Voltage 440V/ 230 V I/III 60 Hz
- Coin/token kit

TECHNICAL DATA	UNIT.	DP-8 T2	DP-10 T2
<b>CAPACITY AND DRUM</b>			
Load capacity 1:20	Kg	8	10
Volume	l	160	200
Diameter	mm	590	590
Drum depth	mm	585	690
<b>GENERAL DETAILS</b>			
T2 Control	-	Touch screen 4,3"	Touch screen 4,3"
USB Connexion	-	Yes	Yes
Construction	-	Skinplate panels	Skinplate panels
Plinth	-	OPT	OPT
Coin laundry version	-	Yes	Yes
Noise level	dB	62	62
<b>DOOR</b>			
Height center door	mm	554	554
Height base door	mm	250	250
Diameter	mm	480	480
<b>POWER</b>			
Motor	kW	0,37	0,37
Electric heating	kW	6,75 / 4,5	6,75 / 4,5
<b>CONNECTIONS</b>			
Tension 230V I+N+T 50Hz	Nº x mm2/A	3x10 / 40A	3x10 / 40A
Tension 230V III+T 50Hz	Nº x mm2/A	4x4 / 25A	4x4 / 25A
Tension 400V III+N+T 50Hz	Nº x mm2/A	5x2,5 / 16A	5x2,5 / 16A
Tension 230V I+N+T 60Hz	Nº x mm2/A	3x10 / 40A	3x10 / 40A
Tension 230V III+T 60Hz	Nº x mm2/A	4x4 / 25A	4x4 / 25A
Tension 400V III+N+T 60Hz	Nº x mm2/A	5x2,5 / 16A	5x2,5 / 16A
Tension 440 III+T 60Hz	Nº x mm2/A	5x2,5 / 16A	5x2,5 / 16A
Tension 460/480 III+T 60Hz	Nº x mm2/A	5x2,5 / 16A	5x2,5 / 16A
Ø Fume exhaust	mm	100	100
Maximum airflow	m3/hour	300	300
<b>DIMENSIONS / PACKING DIMENSIONS</b>			
Net width / Gross width	mm	680 / 710	680 / 710
Net depth / Gross depth	mm	722 / 832	755 / 832
Net height / Gross height	mm	1056 / 1141	1056 / 1141
Net weight / Gross weight	kg	89 / 100	93 / 104
Volume	m3	0,67	0,67



01 ELECTRICAL CONNECTION  
02 EXHAUST OUTLET Ø100

	A	B	C	D	E	F	G	H	I	J	K
DP-8	1056	1227	320	140	226	680	722	615	57	91	480
DP-10	1056	1227	320	140	226	680	722	615	57	91	480

